

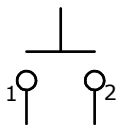
Ø19.00  
[.748 in]

Ø22.00  
[.866 in]

Ø14.90  
[.587 in]

▲  
FLAT ACTUATOR:  
BLACK ANODIZED ALUMINUM

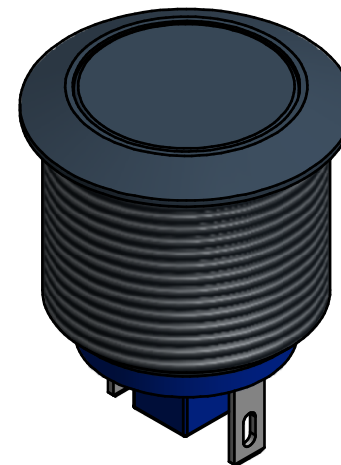
PANEL MOUNTING  
MAX. PANEL THICKNESS 8.0mm



▲ CIRCUIT: SPST

SWITCH FUNCTION	
POS. 1	POS. 2
OFF	(ON)
OPEN	1-2

(ON) = MOMENTARY



▲  
BODY FINISH:  
BLACK ANODIZED ALUMINUM

2.00 ± .50  
[.079 ± .020 in]

M19x1.0

18.00 ± .50  
[.709 ± .020 in]

25.30 ± .50  
[.996 ± .020 in]

11.30  
[.445 in]

.50  
[.020 in]

24.00 ± .50  
[.945 ± .020 in]

2.80  
[.110 in]

NOTE:

1. ALL DIMENSIONS IN MM [INCH]
2. GENERAL TOLERANCE: X.X = ± 0.4  
X.XX = ± 0.25
3. TERMINAL NOS. FOR REF. ONLY
- ▲ 4. FUNCTION: SPST
- ▲ 5. RATING: 2A @ 48VDC
6. CONTACT RESISTANCE: 50mΩ MAX. @ 1A 12VDC
7. INSULATION RESISTANCE: 1,000MΩ @ 500VDC
8. DIELECTRIC STRENGTH: 2,000VAC MIN. FOR 1 MINUTE
9. ELECTRICAL LIFE: 200,000 CYCLES
10. CONTACT MATERIAL: SILVER PLATED COPPER
11. OPERATING TEMPERATURE: -20°C TO 55°C
12. INGRESS PROTECTION: IP65
13. ▲ DENOTES CRITICAL PARAMETER
14. 2002/95/EC (ROHS) COMPLIANT
- ▲ 15. HARDWARE INCLUDED: HEX NUT AND O-RING (NOT SHOWN)



TITLE PV1F24011

A	21509	RELEASE FOR PRODUCTION	7/14/14	EBP
REV	PCR NO	DESCRIPTION	DATE	BY

THE INFORMATION CONTAINED IN THIS DOCUMENT IS PROPRIETARY TO E-SWITCH AND IS NOT TO BE COPIED OR TRANSFERRED

SCALE	DATE 7/14/2014	DR EBP	DWG 52-PV1F24011	REV A
-------	-------------------	-----------	---------------------	----------