

6

5

4

3

2

1

E

E

D

D

C

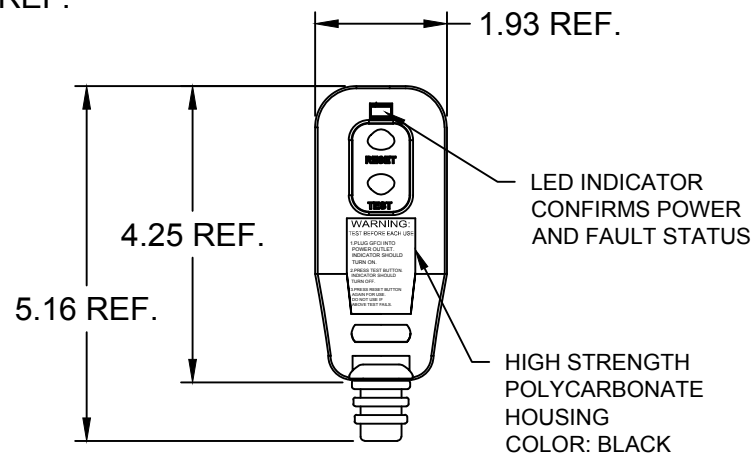
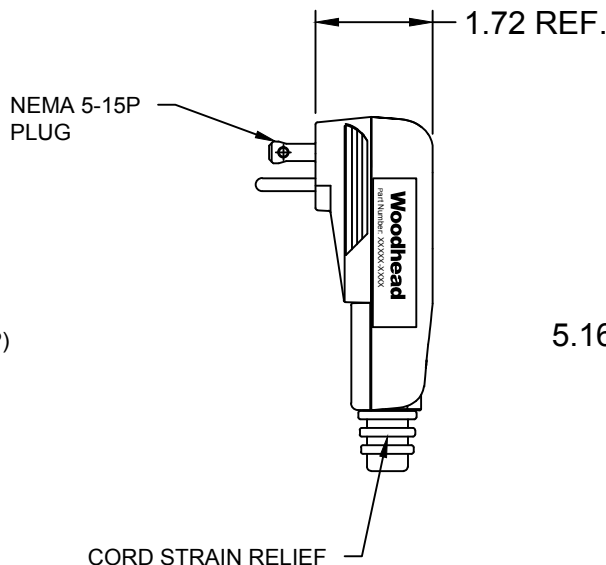
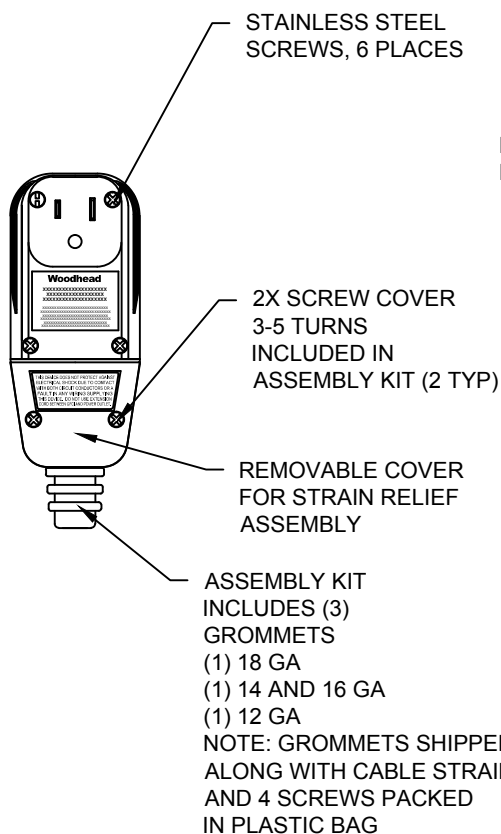
C

B

B

A

A



**TECHNICAL:**  
LISTED:  
RATED SUPPLY VOLTAGE:  
RATED CURRENT:  
RESET TYPE:  
OPERATING FREQUENCY:  
TYPE:  
GROUND TRIP CURRENT:  
OVERLOAD CURRENT:  
INSULATION VOLTAGE:  
ENDURANCE OPERATIONS:

UL AND cUL  
120 VAC  
UP TO 15 AMPS OR CABLE RATING  
AUTOMATIC OR MANUAL  
60 Hz  
CLASS A  
4-6 mA  
90 AMP 125 VAC  
1,500 VRMS - 1 MINUTE  
3000 OPERATIONS

|              |                 |          |
|--------------|-----------------|----------|
| MATERIAL NO. | ENGINEERING NO. | POWER-UP |
| 1301530099   | 15054A          | AUTO     |
| 1301530100   | 15054M          | MANUAL   |

|  |                         |                                   |  |            |                           |                         |               |  |                     |                           |
|--|-------------------------|-----------------------------------|--|------------|---------------------------|-------------------------|---------------|--|---------------------|---------------------------|
| INITIAL RELEASE<br>EC NO: IPC2013-1078<br>DRWN: HKNEELAN 2008/10/20<br>CHKD: HKNEELAN 2014/07/22<br>APPR: JFMURPHY 2015/04/20    | DESCRIPTION<br>REV<br>A | QUALITY<br>SYMBOLS<br>▽=0<br>▽C=0 | GENERAL TOLERANCES<br>(UNLESS SPECIFIED) |            |                           | DIMENSION STYLE<br>INCH |               | SCALE  | DESIGN UNITS        | THIRD ANGLE<br>PROJECTION |
|  |                         |                                   |  | mm         | INCH                      | DRAWN BY                | DATE          | NTS  | INCH                |                           |
|  |                         |                                   | 4 PLACES                                 | ±---       | ±---                      | HK                      | 2008/10/20    |  |                     |                           |
|  |                         |                                   | 3 PLACES                                 | ±---       | ±.005                     | CHECKED BY              | DATE          | TITLE<br>15A,<br>FIELD ATTACHABLE<br>GFCI PLUG |                     |                           |
|  | ±0.13                   | ±.010                             | JFMURPHY                                 | 2015/04/20 | MOLEX INCORPORATED        |                         |               |  |                     |                           |
|  | ±0.25                   | ±.020                             | APPROVED BY<br>DATE                      |            | MATERIAL NO.<br>SEE CHART |                         | DOCUMENT NO.  |  |                     |                           |
| DRAFT WHERE APPLICABLE<br>MUST REMAIN<br>WITHIN DIMENSIONS   |                         |                                   | ANGULAR ±1/2°                            |            | SIZE<br>A                 |                         | SD-130153-002 |  | SHEET NO.<br>1 OF 1 |                           |
| THIS DRAWING CONTAINS INFORMATION THAT IS PROPRIETARY TO MOLEX<br>INCORPORATED AND SHOULD NOT BE USED WITHOUT WRITTEN PERMISSION |                         |                                   |  |            |                           |                         |               |  |                     |                           |